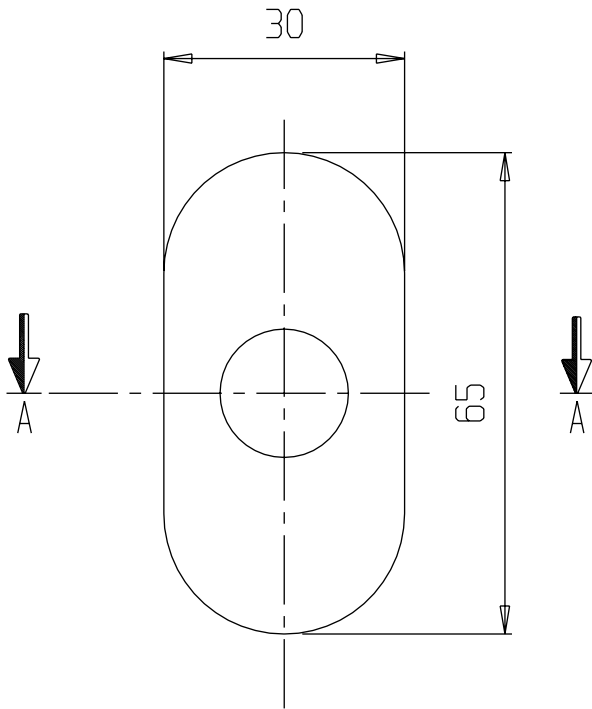


FENSTERGRIFF

Dreh-/Kipp-Mechanismus, unverschießbar

GRIFFWERK Fenstergriff bestehend aus Rasterolive und Cover

- Rasterolive mit 4-fach-Rasterung (90°)
- Rasterolive aus Stahl
- Cover aus Edelstahl
- Stiftvorstand 32 oder 42mm
- Vierkant 7mm in das Fenster
- Vierkant Spaltstift 8mm in den Griff
- Nockendurchmesser 10mm
- Gewindeschrauben M5



WINDOW HANDLE

Turn/tilt mechanism, unlockable

GRIFFWERK window handle consisting of louvre olive and cover

- Grid olive with 4-fold grid (90°)
- Grid olive made of steel
- Cover made of stainless steel
- pin protrusion 32 or 42mm
- square 7mm into the window
- Square split pin 8mm into the handle
- Cam diameter 10mm
- Threaded screws M5

