



NEW
DOOR HANDLE
VARIANTS



THE SURFACE PRINCIPLE PIATTA S

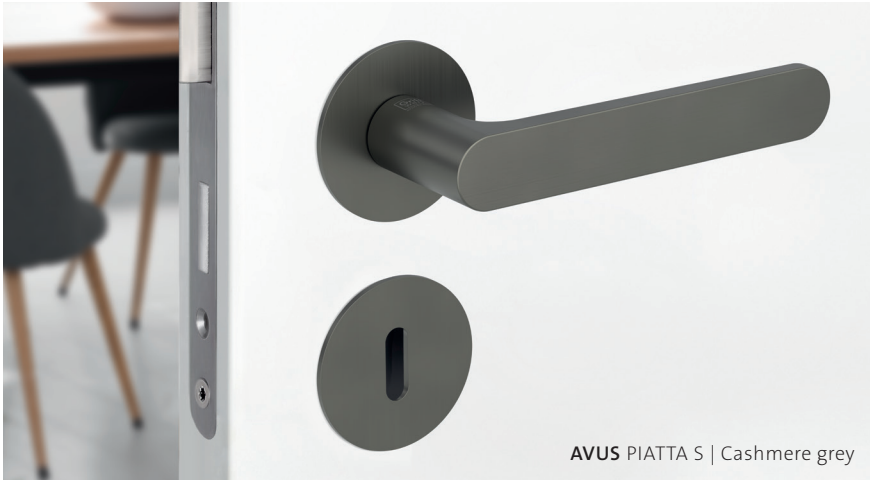
FLAT ROSES FOR A SEAMLESS LOOK

THE SURFACE PRINCIPLE

PIATTA S

Modern living no longer requires or desires a major distinction between walls, frames and doors. Materials and visuals are becoming more uniform. The need for order and minimalism is changing the way we live. Flush surfaces are setting the trend. PIATTA S is fluent in this design language. The flat rose merges into the door leaf like a disc. The PIATTA S does not even need special holes to be drilled or routed.

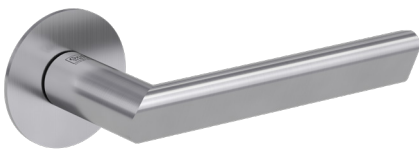




AVUS PIATTA S | Cashmere grey

PERFECT COMBINATION

- _ Ultra-flat rose, only 2 mm deep
- _ With spring support
- _ Mechanism integrated into door leaf
- _ No maintenance and no corrosion (no magnets)
- _ Fast to install with SMART-CLIP
- _ No special drill holes
- _ Ideal for flush closing doors



TRI 134 PIATTA S | Matt stainless steel

Locking version also available

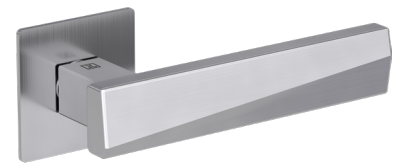
smart2lock
by GRIFFWERK



JETTE CRYSTAL PIATTA S | Matt stainless steel

Locking version also available

smart2lock
by GRIFFWERK



JETTE VISION PIATTA S | Matt stainless steel



LORITA PIATTA S | Matt stainless steel

Locking version also available

smart2lock
by GRIFFWERK



CUBICO PIATTA S QUATTRO | Matt stainless steel



LUCIA PIATTA S | Matt stainless steel

Locking version also available

smart2lock
by GRIFFWERK



smart2lock
by GRIFFWERK

Integrated lock

- _ no key rose
- _ easy single-handed operation
- _ simple emergency unlocking
- _ no more lost keys
- _ compatible with all standard mortice locks

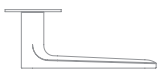
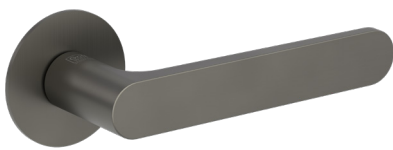
OUR
RECOMMENDATION

- _ 2 and 3-part hinges for wood and metal frames
- _ Colour coordinates with Cashmere grey and Graphite black

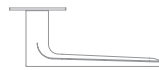
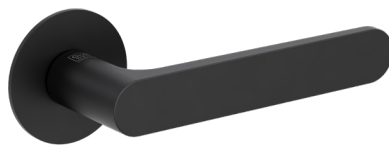


3-part hinge 2-part hinge
Cashmere grey Cashmere grey

Both also available in Graphite black and Matt stainless steel



AVUS PIATTA S | Cashmere grey



AVUS PIATTA S | Graphite black



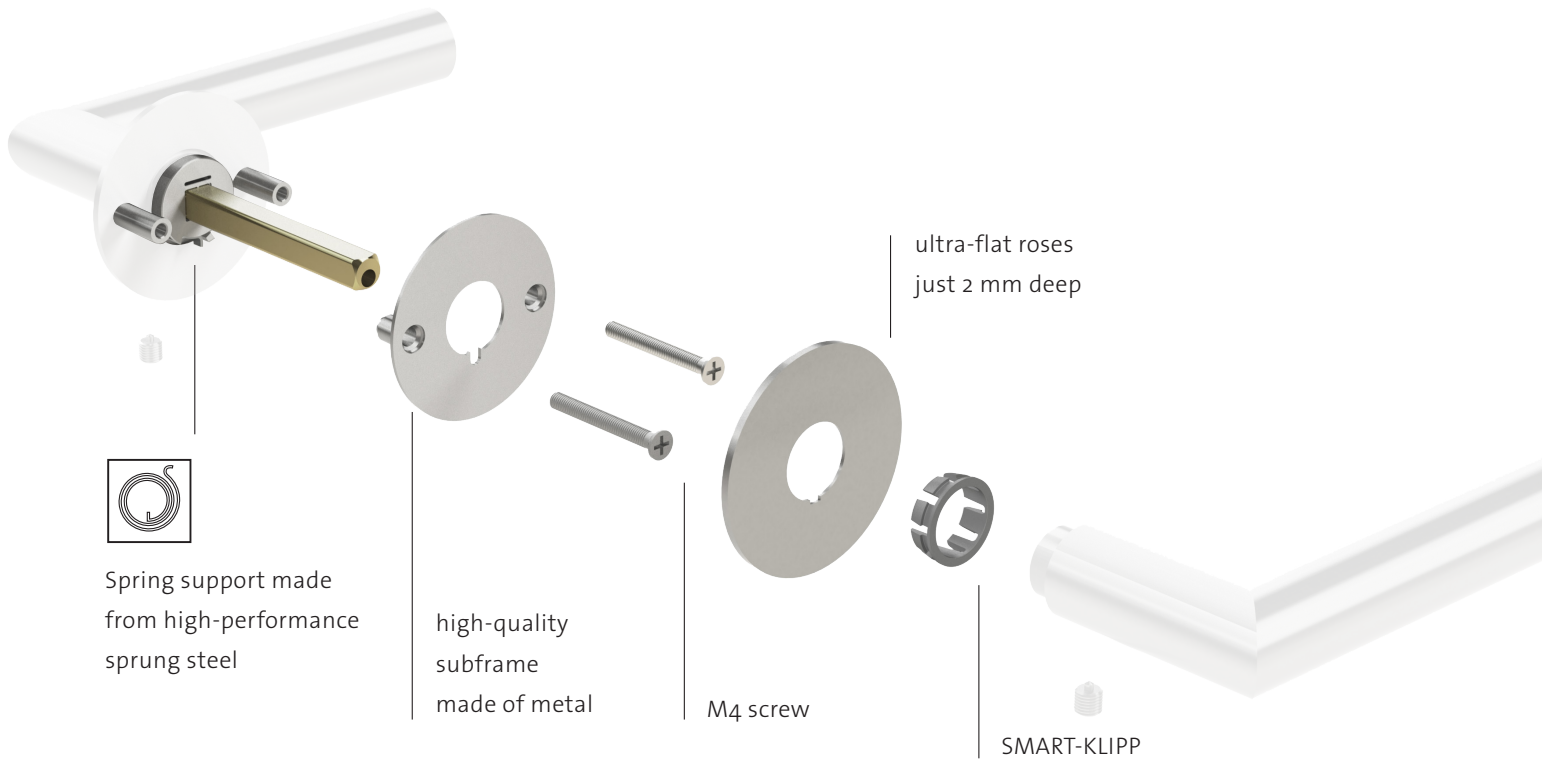
LUCIA PIATTA S QUATTRO | Matt stainless steel



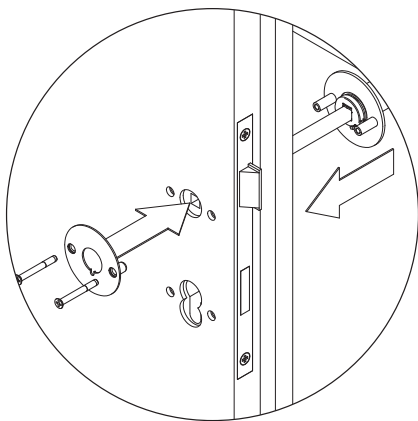
LUCIA PIATTA S | Graphite black

Locking version also available

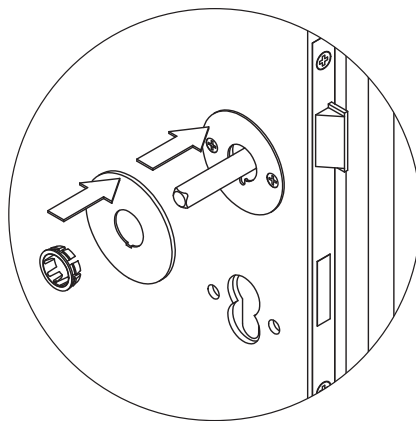
SMART FITTINGS TECHNOLOGY



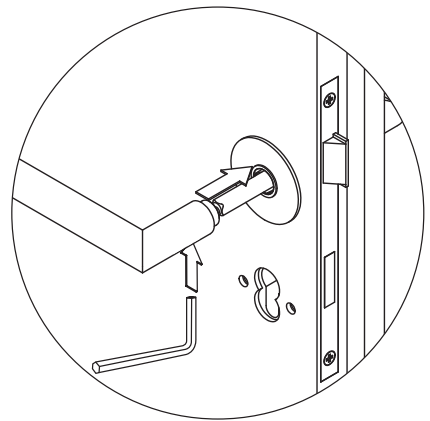
SMART ASSEMBLY IN **3** STEPS



1 Assemble using M4 screws



2 Attach SMART-KLIPP flat rose



3 Tighten grub screw



Further product
information from
GRIFFWERK.DE

